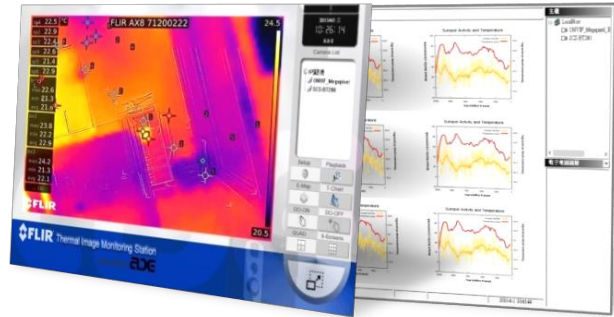


inT-Guard Portable Thermal Image Monitoring Station

Model : in-TG 300

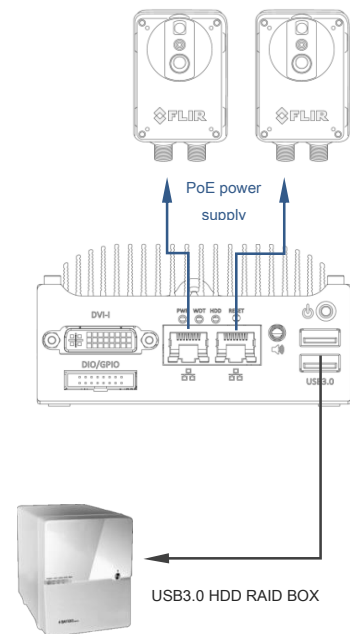


Key Features

- Support max. 9 sets of Flir AX8 management in one portable station.
- Built-in 2 sets of PSE RJ-45 port to link AX8 by one cable PoE connectivity.
- Built-in preview, record, playback, temperature gathering & alarm features.
- Provide 1/4/9 or user defined divided screens preview and max. quad playback.
- Provide active temperature chart for live and history data query.
- Support user defined temperature threshold value and range for exception alarm.
- Built-in 1TB HDD storage for 7x24 hrs loop recording by 2 sets of thermal camera.
- Support external storage add-on by USB3.0 interface.
- Support regular IP camera for visual video surveillance.
- Support 7x24 scheduled and alarm recording mode.
- Support pre-alarm & post-alarm recording.
- Support motion detection, abnormal temperature and external alarm trigger.
- Provide alarm notification by screen flash, audio, DO trigger, e-mail & FTP snapshot.
- Support user privilege and permissions management.
- Support TCP/IP connection management :
 - ◇ Remote connecting time and user management.
 - ◇ Auto recovery for disconnection.
 - ◇ Up/down link data rate control.
- Support local HDD & remote FTP server scheduled backup by day/week/month.
- Support H.264 to AVI format video clips exporting.

Specialized management system for

Thermal Camera



System functions

Video monitoring	<ul style="list-style-type: none"> ◆ User defined preview layout by 1~9 divided screens. ◆ Manual preview snapshot for assigned directory saving. ◆ Support digital zoom in/out viewing. ◆ Auto display video channel assignment. ◆ Remote trigger the AX8 DO control manually. ◆ Place the video channel on e-map for live preview.
Temperature monitoring	<ul style="list-style-type: none"> ◆ Support max. 9 active temperature curve charts to present the data. ◆ Assign the threshold value or variant range to trigger the abnormal temperature events and alarm action. ◆ Select a period time to playback the history temperature record.
Video recording	<ul style="list-style-type: none"> ◆ Video resolution: 640*480@30fps. ◆ Support scheduled and alarm recording modes.

(Above information is subject to be changed without prior notice)

Video playback	<ul style="list-style-type: none"> ◆ Support loop recording with max. storage days. ◆ Support 7x24 hrs recording schedule plan. ◆ Support recording configuration copy to other camera. ◆ Support one time and scheduled backup task.
Alarm functions	<ul style="list-style-type: none"> ◆ Support time search and playback. ◆ Adjustable speed for playback. ◆ Support digital zoom in/out playback. ◆ Present recording date/time/channel/name information. ◆ Provide image effects with brightness/contrast/sharpness/mirror/invert/mosaic/flip. ◆ Support 0~150 secs pre-alarm & 5~120 secs post-alarm recording. ◆ Support alarm linkage by alarm types/source/action assignment. ◆ Alarm action includes : recording/snapshot/audio/PTZ preset/Email/zoom/DO and pop-up video.
Network control	<ul style="list-style-type: none"> ◆ Support remote web management. ◆ Support to define the user permission by operation functions & video channels. ◆ Support communication port assignment. ◆ Support adjustable bandwidth for intranet/internet connection. ◆ Support service time schedule plan for external connection. ◆ Support data rate and number of concurrent user limitation. ◆ Support IP filter to block remote client access.

Hardware Specifications

Dimensions	149 x 105 x 57 mm
Weights	1.1kg (without HDD)
Video interface	TCP/IP video with RTSP protocol
Video resolution	VGA (640x480)
Video channel	Max. 9 IP video input
OS	Windows Embedded 7 64-bit
CPU	Intel Atom Bay Trail-I E3845 1.91GHz QUAD-CORE
TV out	1 x DVI-I output by Intel HD Graphics
Memory	4GB DDR3L
Internal storage	Built-in 1 x 1TB 2.5"hard drive
External storage	By USB3.0 interface
Ethernet	2 x GbE port with IEEE802.3at(25.5W) PSE standard
Serial control	Spared 2 x RS-232 & 2 x RS232/422/485 port for external I/O device communication
USB	1 x USB2.0 & 3 x USB3.0
Audio output	1 x audio output for speaker
Mini PCI-E	Spared 1 x Mini PCI-E for 3G/4G/WiFi data card installation internally
Power supply	8 ~ 35Vdc power input
Power consumption	normal : 7.68W(0.32A@24V) ; full load : 13.44W(0.56A@24V)
Operation temperature	0~50 °C

(Above information is subject to be changed without prior notice)